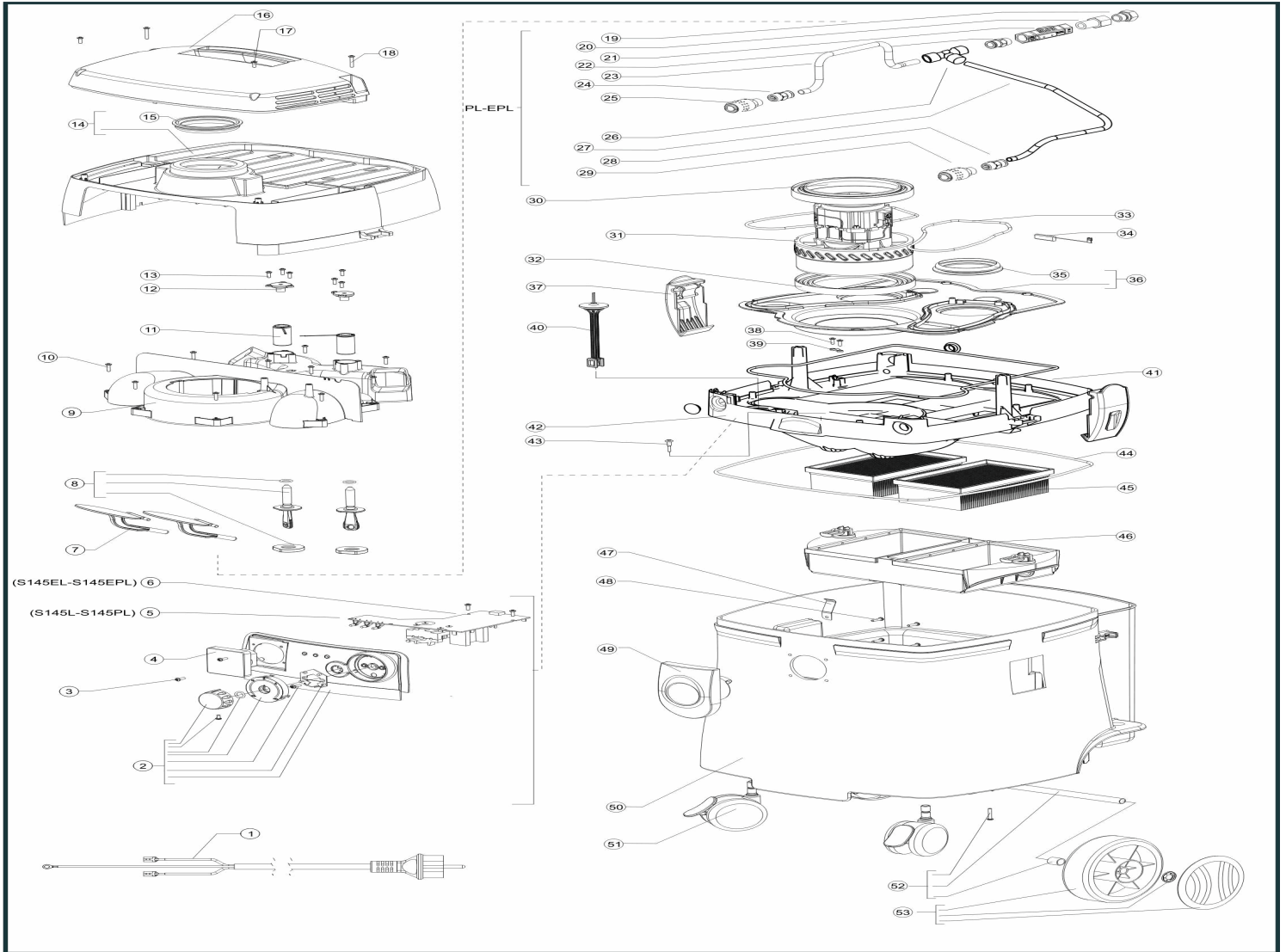


## RUPES

ASPIRATORI PROFESSIONALI CON PULIZIA DEI FILTRI  
 VACUUM UNITS WITH AUTOMATIC FILTERS CLEANING

**S145L-S145PL**  
**S145EL-S145EPL**



ID	ITEM	DESCRIPTION
001	9C3X1,5EAU5/A	CABLE 3X1,5 (plug AUSTR.-15A) mt.5
001	9C3X1,5EUS5/A	5 mt CABLE 3X1,5mm
001	9C3X1,5V485/A	CABLE 3X1,15 (plug Schuko) PVC mt.5
001	9C3X1,5VGB5/A	CABLE 3X1,15 (plug UK) PVC mt.5
001	9C3X1,25VJA5/A	CABLE 3x1,25 (plug JAPAN) PVC mt.5
002	021.1108/C	TYPE E S145 COMPLETE PANEL
002	121.1108/C	TYPE L COMPLETE PANEL
003	9.735	SCREW X PLASTIC1412 KB 40x8 ZBC.
004	9GE03036	SOCKET SCHUKO
004	9GE03038	SOCKET UK+CASE
004	9GE03017	SOCKET AUSTRALIA
004	9GE03027	SOCKET USA/JAPAN
005	023.1109	ELECTRONIC CARD L/PL version
006	023.1108/C	ELECTRONIC CARD S130/S145 EM/EPM version
006	075.1108	ELECTRONIC CARD V.100/110
007	004.1108	HATCH S145
008	053.1108	COMPLETE VALVE
009	005.1108	S145 CONVEYOR
010	9.734	SCREW X PLASTIC TC+PZ40x16SP
011	013.1108	S145 COMPLETE SOLENOID
011	110.1108	S145 COIL
012	006.1108	S145 SOLENOID COVER
013	9.734	SCREW X PLASTIC TC+PZ40x16SP
014	018.1108/C	COMPLETE CAP
015	010.1108	S145 GASKET
016	019.1108	COVER
017	9.734	SCREW X PLASTIC TC+PZ40x16SP
018	9.736	SCREW X PLASTIC1412 KB 40x25 ZBC.
019	073.1606/C	3/8 EXTENSION WITH KS260EP NET FILTER
020	051.1106	HEXAGONAL CONNECTION FOR AIR FLOW VALVE KS
021	45.90.200	FLOWDETECTOR (PNEUMATIC SENSOR)
022	9GP08060	LINEAR CONNECTOR D.3/8M TUBE 10
023	054.1108	PREFORMING TUBE RILSAN
024	149.1108	PLASTIC JOINT
025	9.E204	VALVE FOR EURO PROFILES 3/8" THREAD CONNECTIONS
025	117.1108	RAPID CONNECTOR TYPE JAPAN
026	9GP08039	RAC.GIR.T.LAT 3/8 T10 AA333100
027	150.1108	TUBO RILSAN PREFORMATO - secondo utensile
028	149.1108	PLASTIC JOINT
029	9.E204	VALVE FOR EURO PROFILES 3/8" THREAD CONNECTIONS
029	117.1108	RAPID CONNECTOR TYPE JAPAN
030	080.1108	UPPER MOTOR PUMP GASKET
031	9GE07014/2	S1 VACUUM CLEANER MOTORS 230-240V 2pcs FOR S1 SERIES
031	140.1108/2	S1 VACUUM CLEANER MOTORS 100- 120V 2pcs FOR S1 SERIES
032	081.1108	LOWER MOTOR PUMP GASKET
033	084.1108	MOUSSE GASKET Ø5 L540 STICKED
034	090.1108	BRUSH HOLDER+BRUSH S145/KS260-9GE07015
035	010.1108	S145 GASKET
036	002.1108/C	COMPLETE MOTOR STAND
037	020.1108	S145 COMPLETE HOOK
038	9.734	SCREW X PLASTIC TC+PZ40x16SP
039	444.14	CABLE CLAMP NYLON
039	442.55	CABLE CLAMP
040	030.1108	LIQUID SENSOR S145
041	083.1108	MOUSSE GASKET Ø5 L1135 STICKED
042	001.1108	S145 BASE

ID	ITEM	DESCRIPTION
043	029.1108	ANTISLIP SCREW
044	082.1108	MOUSSE GASKET Ø5 L1330 STICKED
045	036.1108/2	PAPER PANEL FILTER S1 and S2 2 pcs
045	065.1108/2	POLYESTER PANEL FILTER S1 and S2 2 pcs
045	132.1108/2	HEPA PANEL FILTER S1 and S2 2 pcs
046	017.1108	COMPLETE FILTER STRUCTURE
047	048.1108	ANTISTATIC CONTACT S145
048	9.734	SCREW X PLASTIC TC+PZ40x16SP
049	037.1108	FILLER
050	034.1108	TANK 45L
051	074.1108	CASTOR WHEEL Ø75 WITH BRAKE
052	043.1108/C	COMPLETE AXLE
053	046.1108/C	COMPLETE WHEEL Ø 150